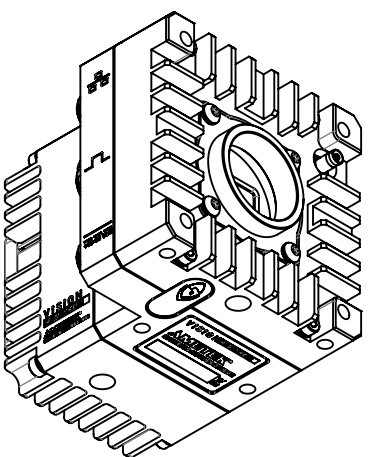
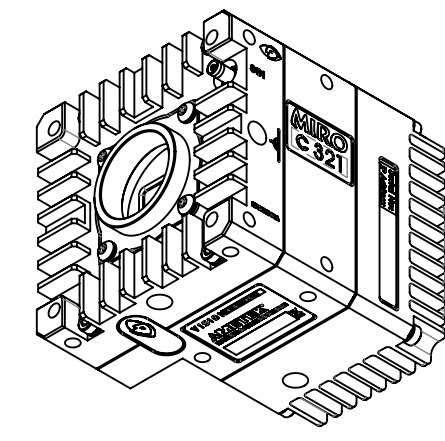
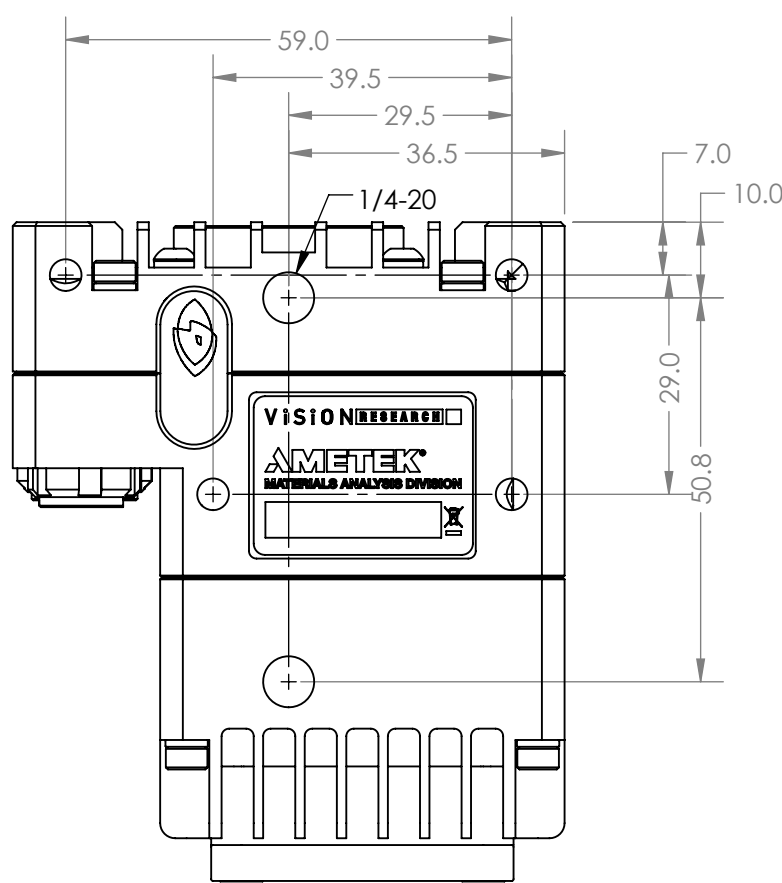
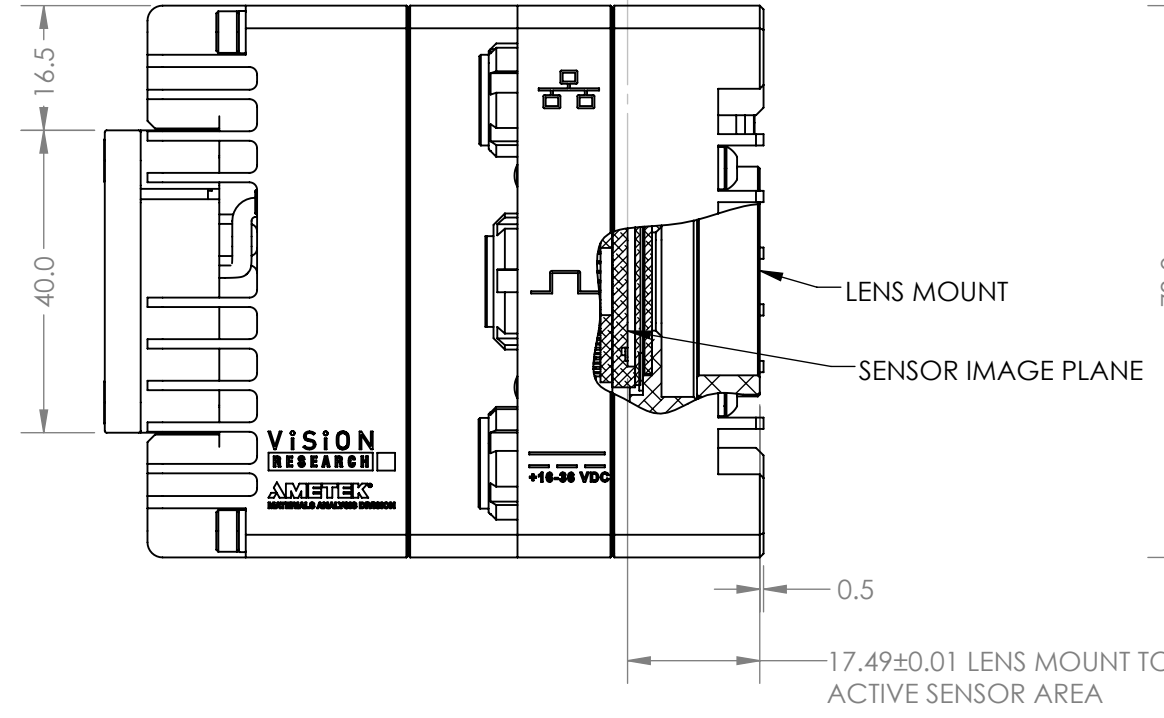
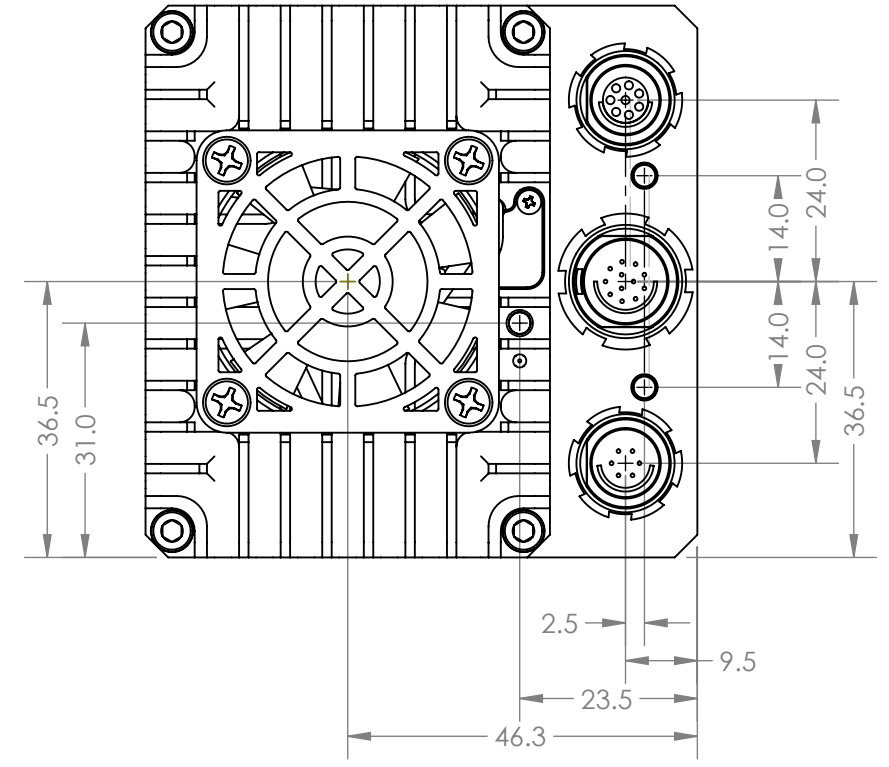
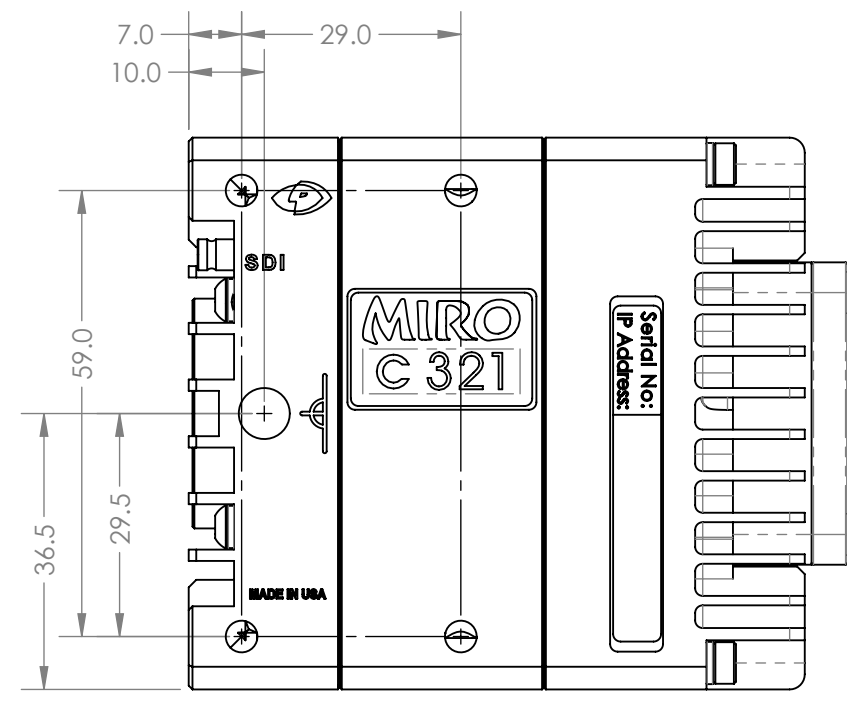
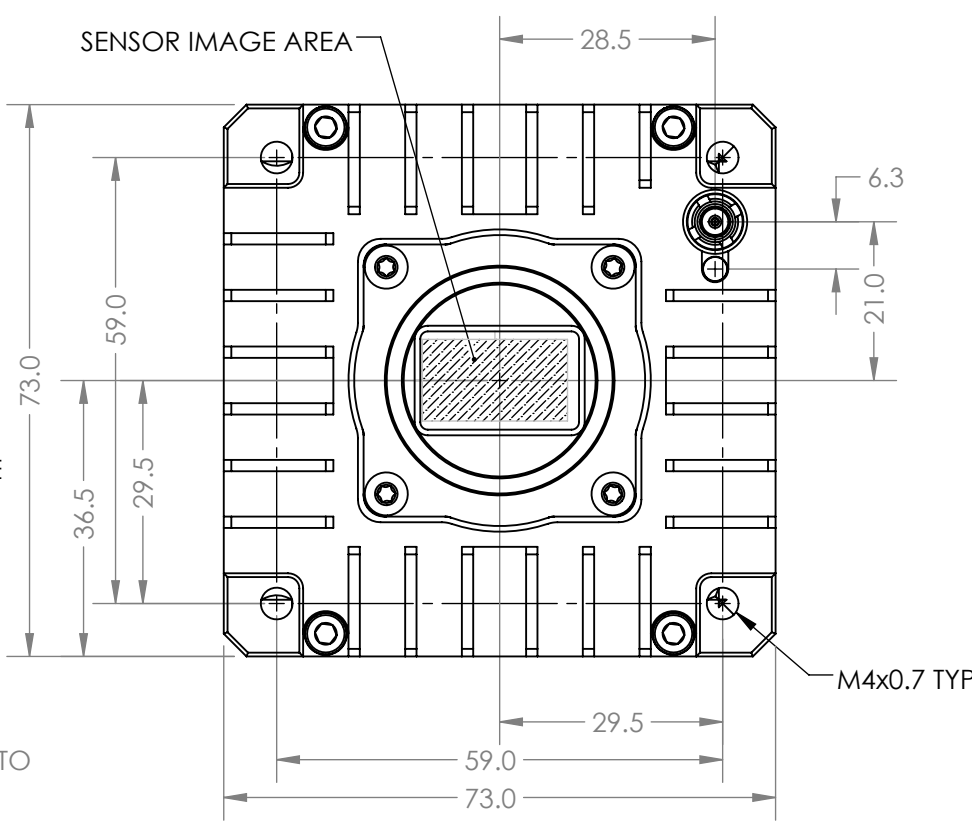
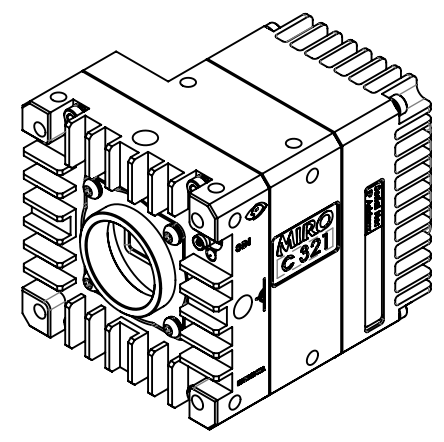
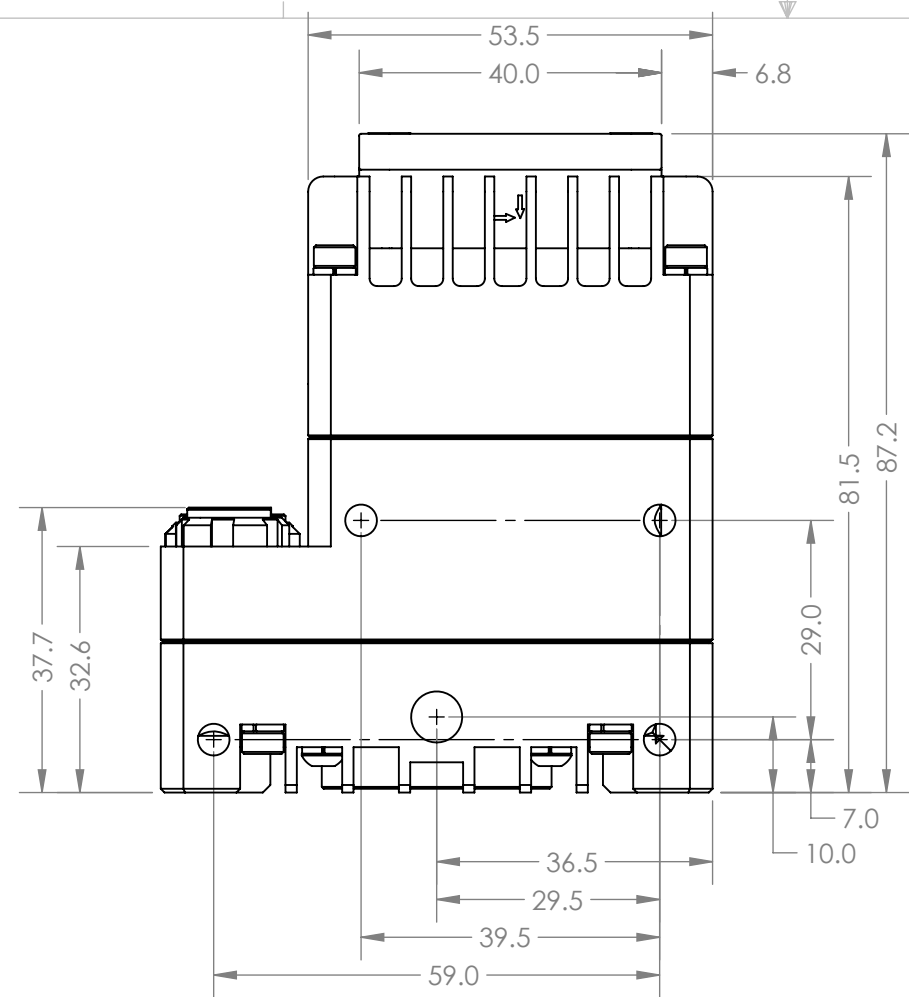
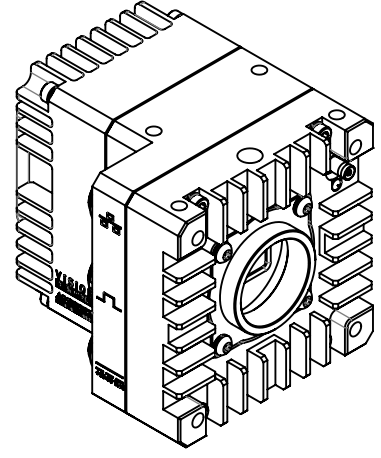


REVISIONS HISTORY			
REV.	DESCRIPTION	DRN BY	APP'D BY
0	INITIAL RELEASE	B.E. 4/2/19	
1	UPDATED TO REFLECT CHANGE IN SENSOR POSITION	B.E. 5/28/19	
2	ADDED M4 MOUNTING HOLES 6 PALCES	B.E. 7/31/19	
3	UPDATED TO C321 CAMERA MODEL PER ECO 20220407-04	B.E. 4/7/2022	



PROPRIETARY AND CONFIDENTIAL
 THE INFORMATION CONTAINED IN THIS DRAWING IS THE SOLE PROPERTY OF VISION RESEARCH. ANY REPRODUCTION IN PART OR AS A WHOLE WITHOUT THE WRITTEN PERMISSION OF VISION RESEARCH IS PROHIBITED.

UNLESS OTHERWISE SPECIFIED:
 DIMENSIONS ARE IN MM
 TOLERANCES:
 FRACTIONAL ± 1/64
 ANGULAR: MACH ± 0.5
 ONE PLACE ± 0.25
 TWO PLACE ± 0.13

INTERPRET GEOMETRIC TOLERANCING PER:
 MATERIAL
 FINISH

DO NOT SCALE DRAWING

NAME	B.E.	DATE	4/2/19
DRAWN			
CHECKED			
ENG APPR.			
MFG APPR.			
Q.A.			

VISION RESEARCH
 100 Dey Road
 Wayne, New Jersey 07470 USA
 973-696-4500

TITLE:
CUSTOMER DRAWING, C320/C321

SIZE	DWG. NO.	REV
C	ZDOC-64106-CD-0014	3

SCALE 1:1 SHEET 1 OF 1