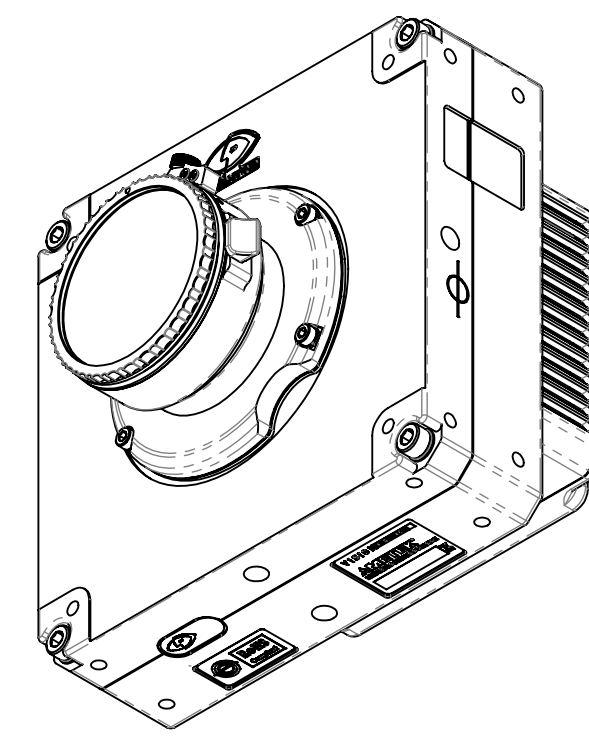
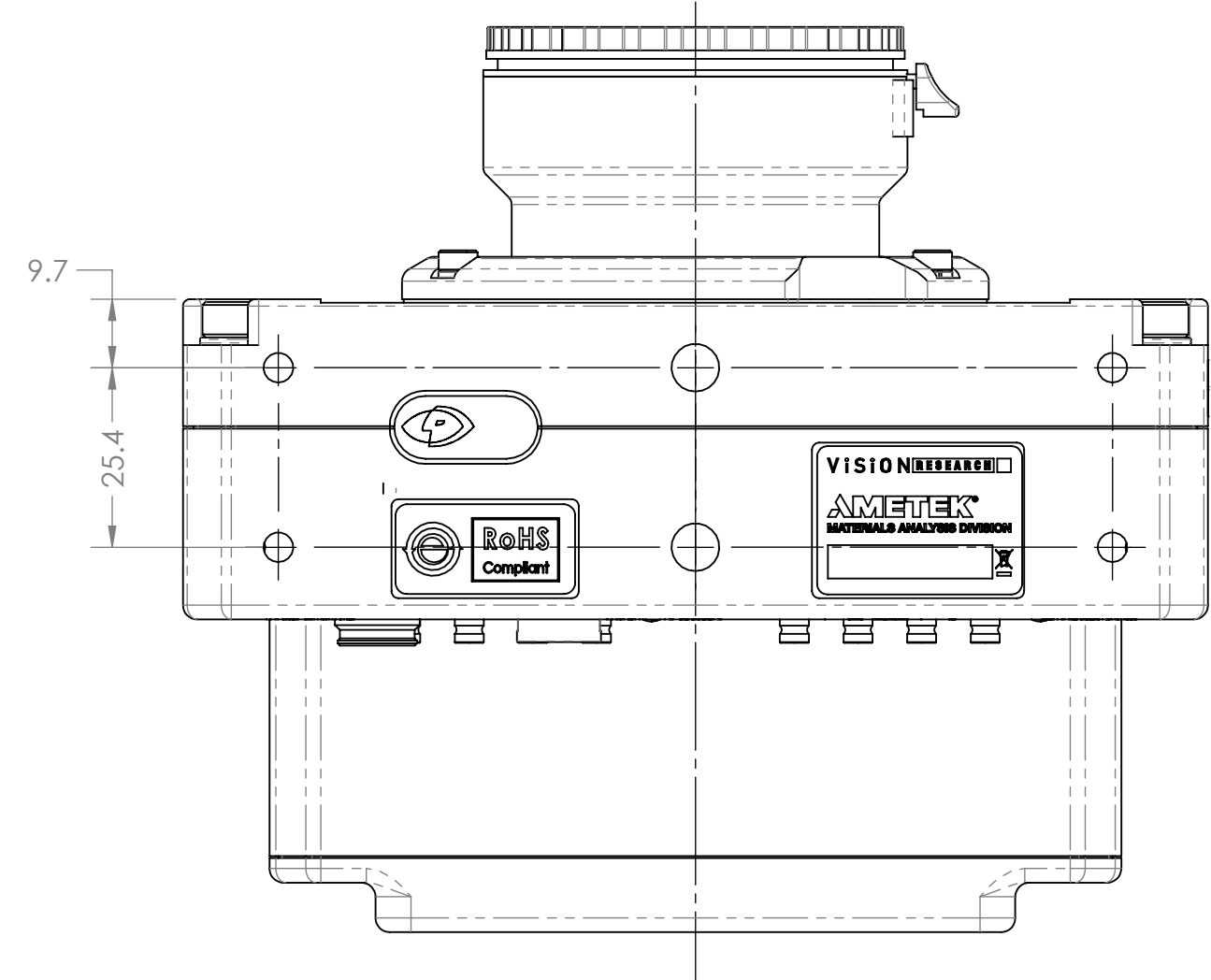
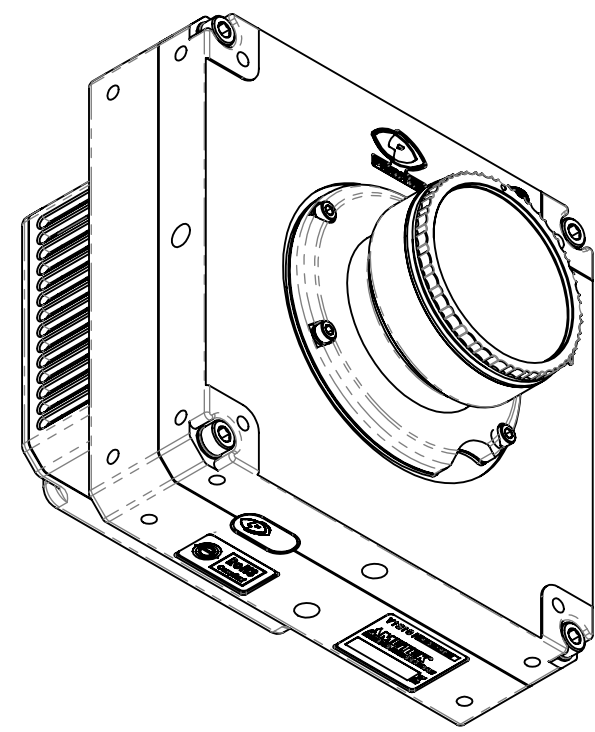
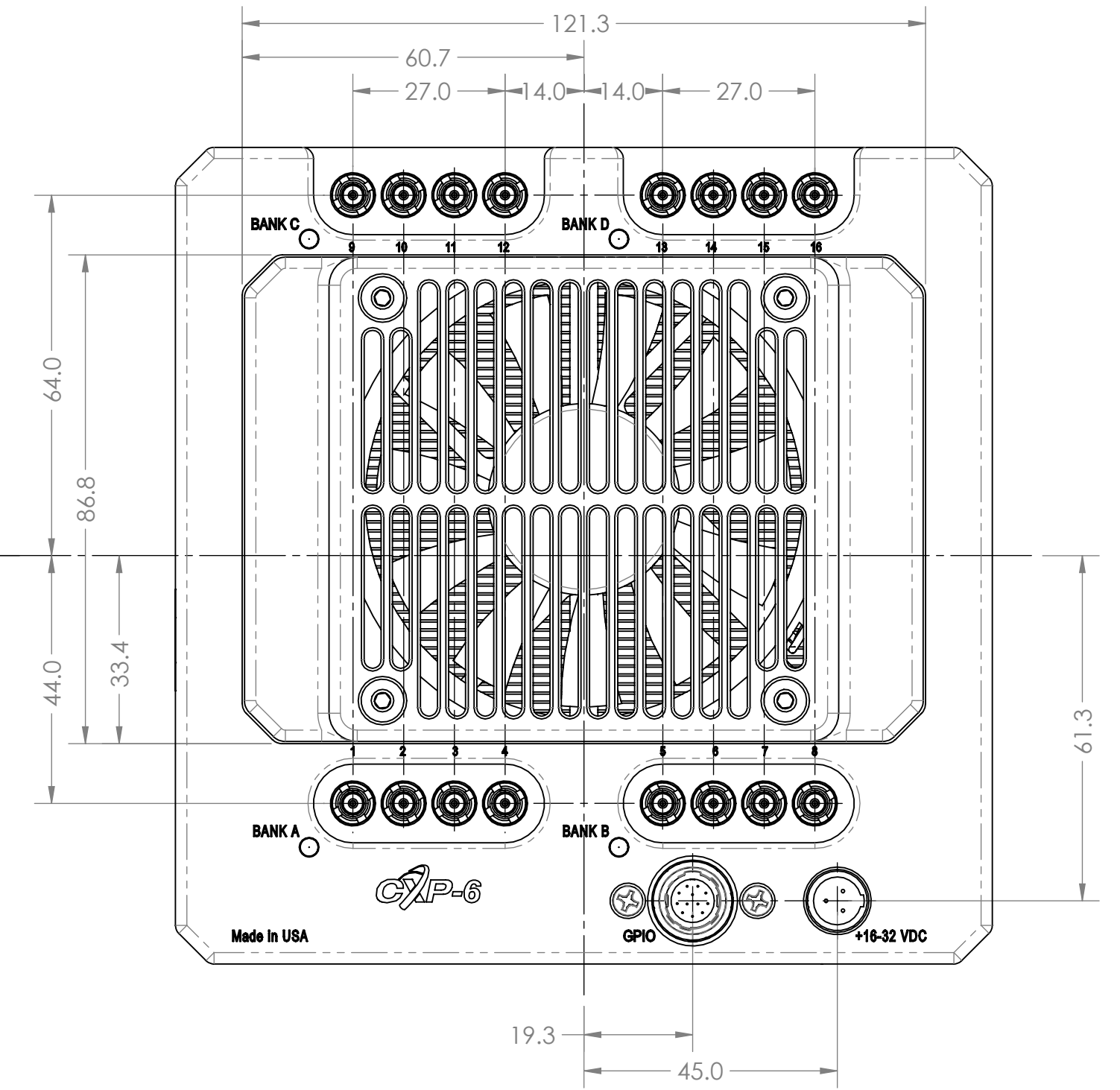
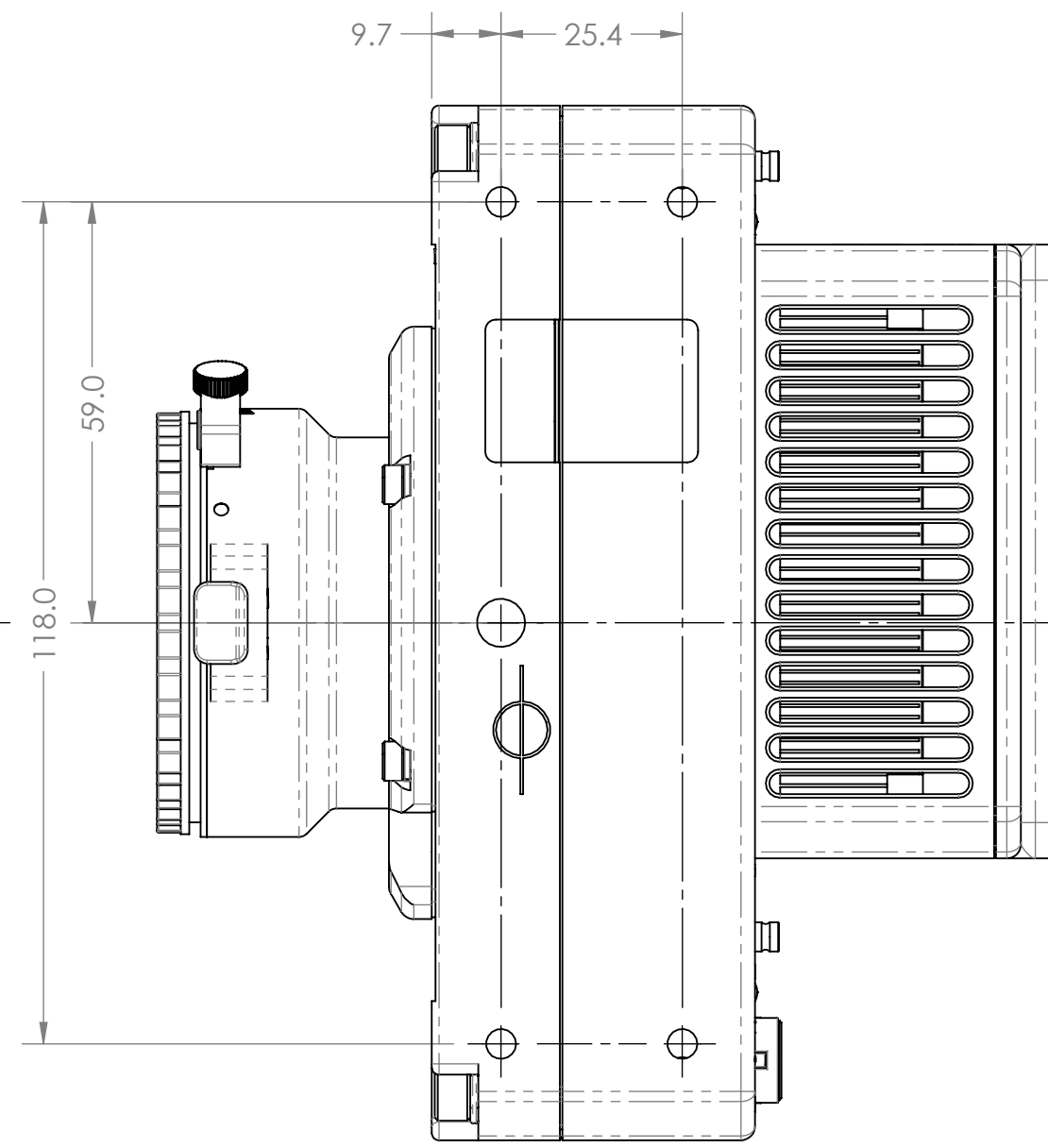
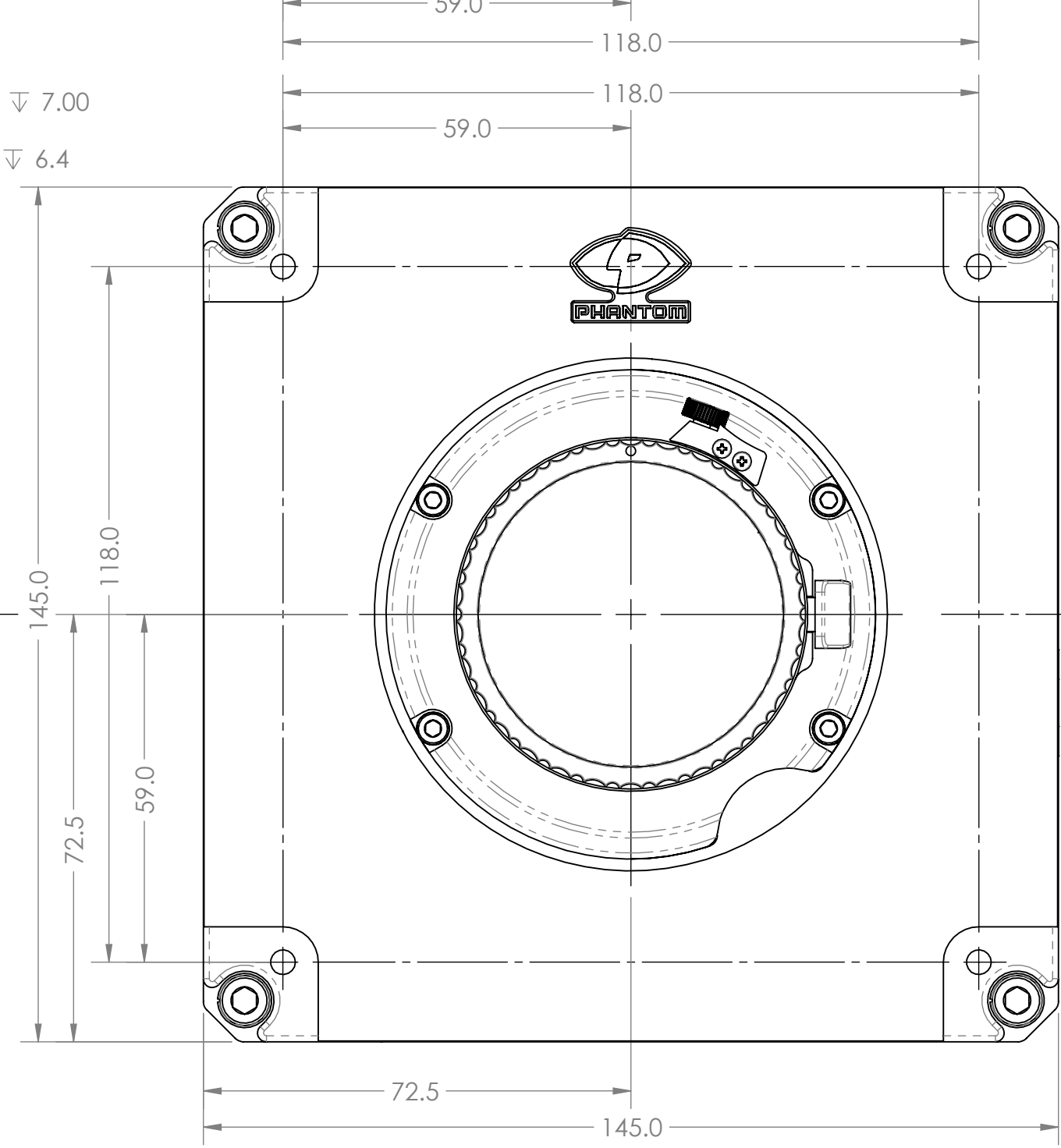
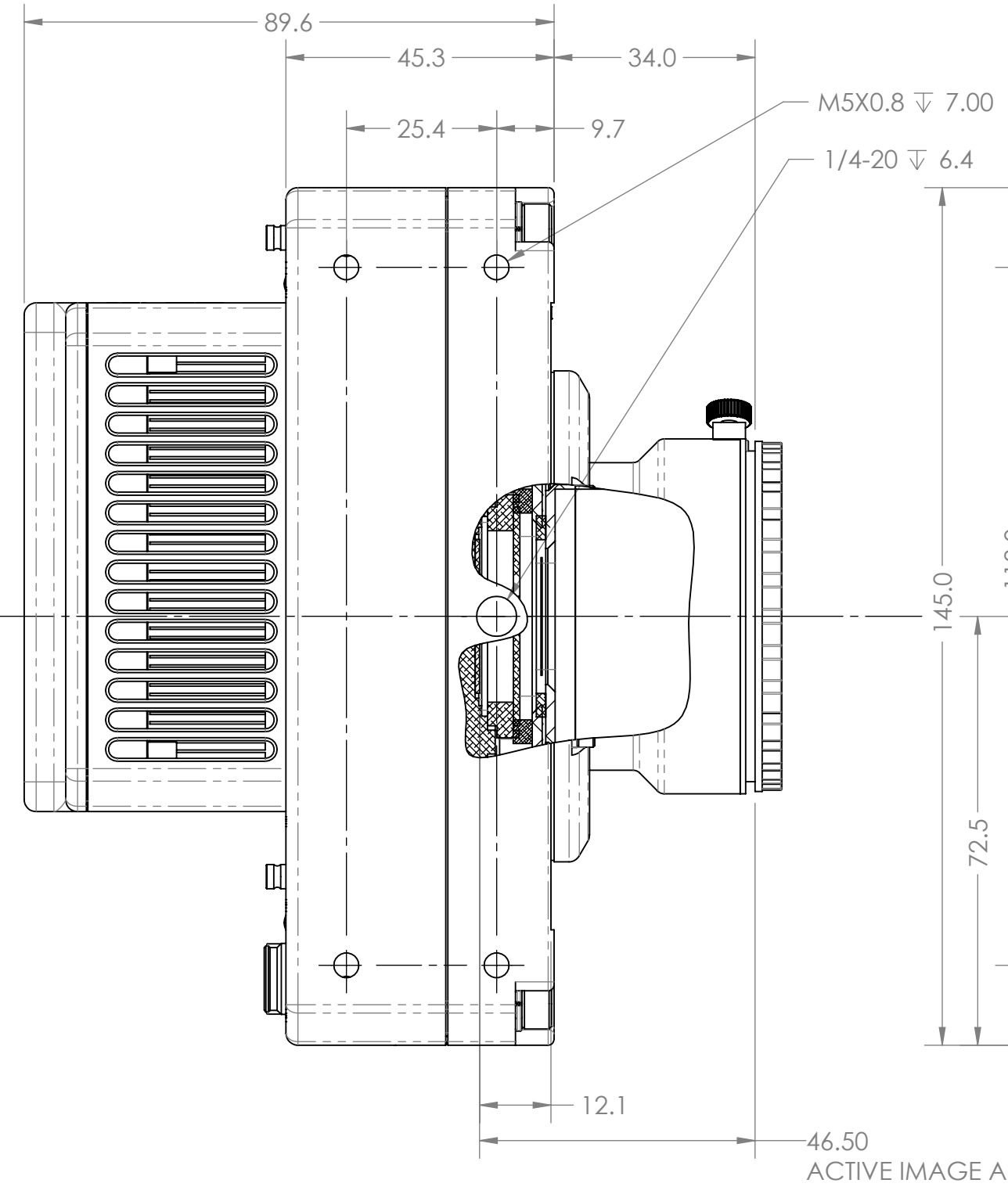
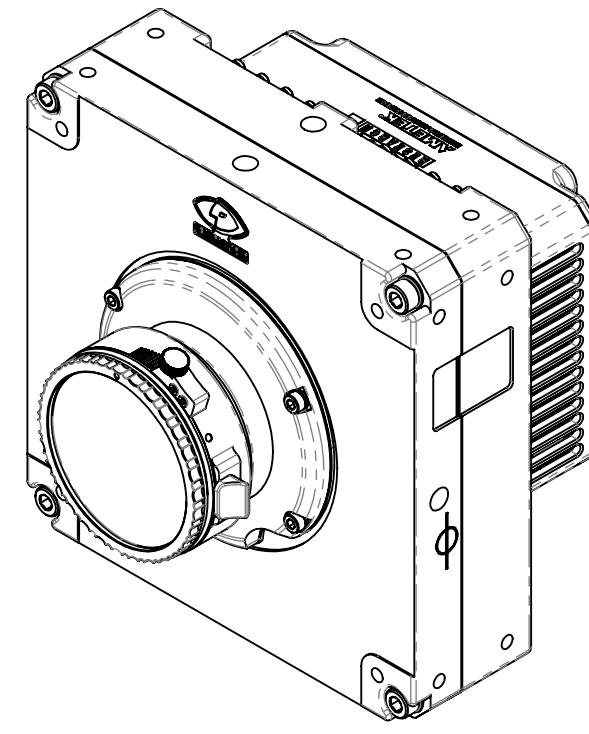
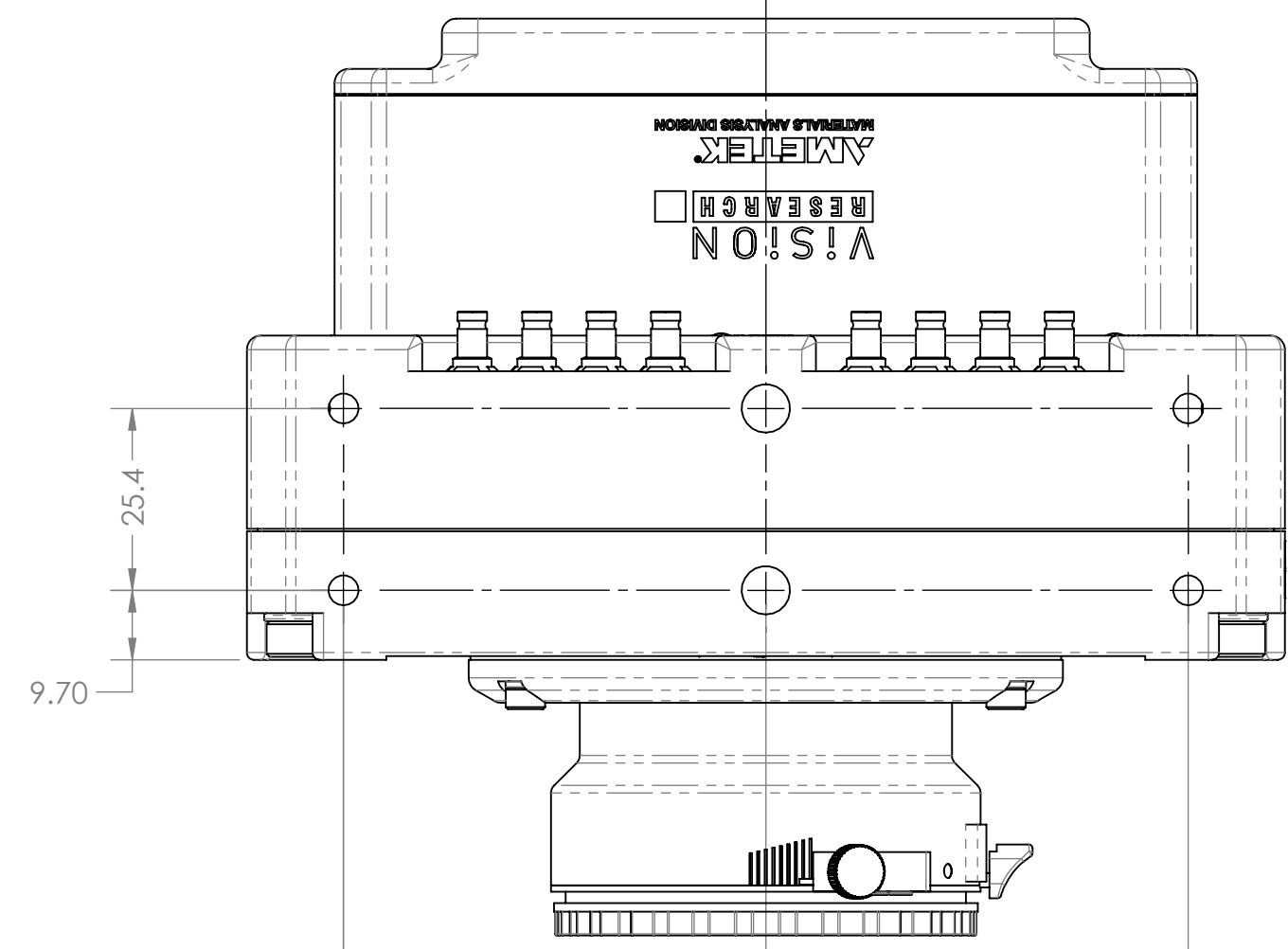
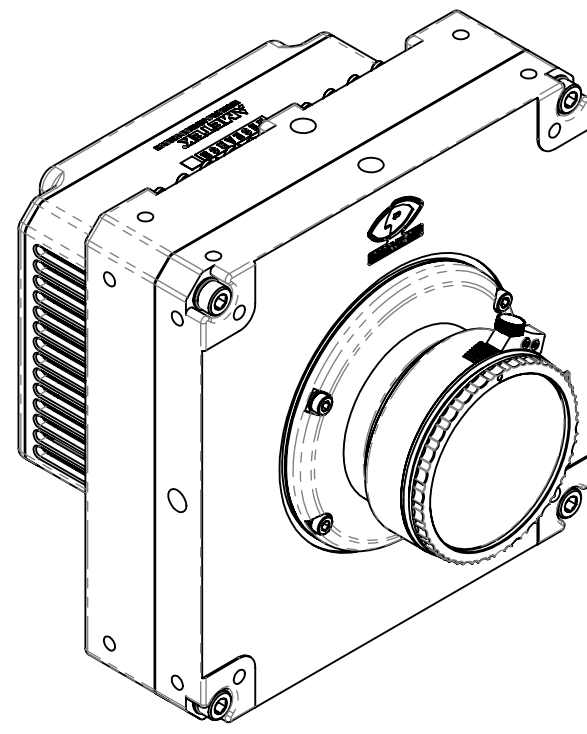


REVISIONS HISTORY			
REV.	DESCRIPTION	DRN BY	APP'D BY
0	INITIAL RELEASE	B.E. 8/7/17	



PROPRIETARY AND CONFIDENTIAL
 THE INFORMATION CONTAINED IN THIS DRAWING IS THE SOLE PROPERTY OF VISION RESEARCH. ANY REPRODUCTION IN PART OR AS A WHOLE WITHOUT THE WRITTEN PERMISSION OF VISION RESEARCH IS PROHIBITED.

		UNLESS OTHERWISE SPECIFIED: DIMENSIONS ARE IN MM
		TOLERANCES: FRACTIONAL: $\pm 1/64$ ANGULAR: $MACH \pm 0.5$ ONE PLACE: ± 0.25 TWO PLACE: ± 0.13
		INTERPRET GEOMETRIC TOLERANCING PER: MATERIAL
	S890 CXP6	FINISH
NEXT ASSY	USED ON	DO NOT SCALE DRAWING
APPLICATION		

NAME	B.E.	DATE	8/7/17
DRAWN			
CHECKED			
ENG APPR.			
MFG APPR.			
Q.A.			

VISION RESEARCH
 100 Dey Road
 Wayne, New Jersey 07470 USA
 973-696-4500

TITLE:
**CUSTOMER DRAWING,
 S890 CXP6**

SIZE	DWG. NO.	REV
D	ZDOC-64109-CD-0006	0
SCALE 1:1	WEIGHT:	SHEET 1 OF 1

