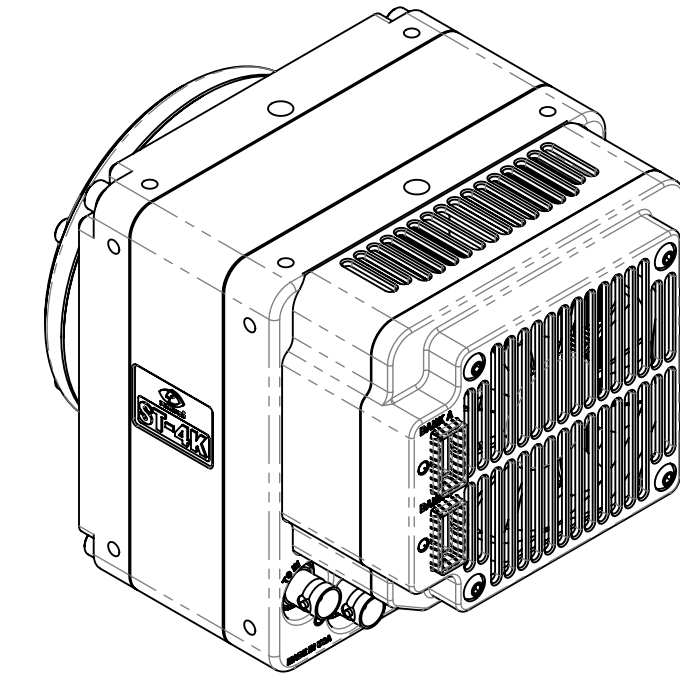
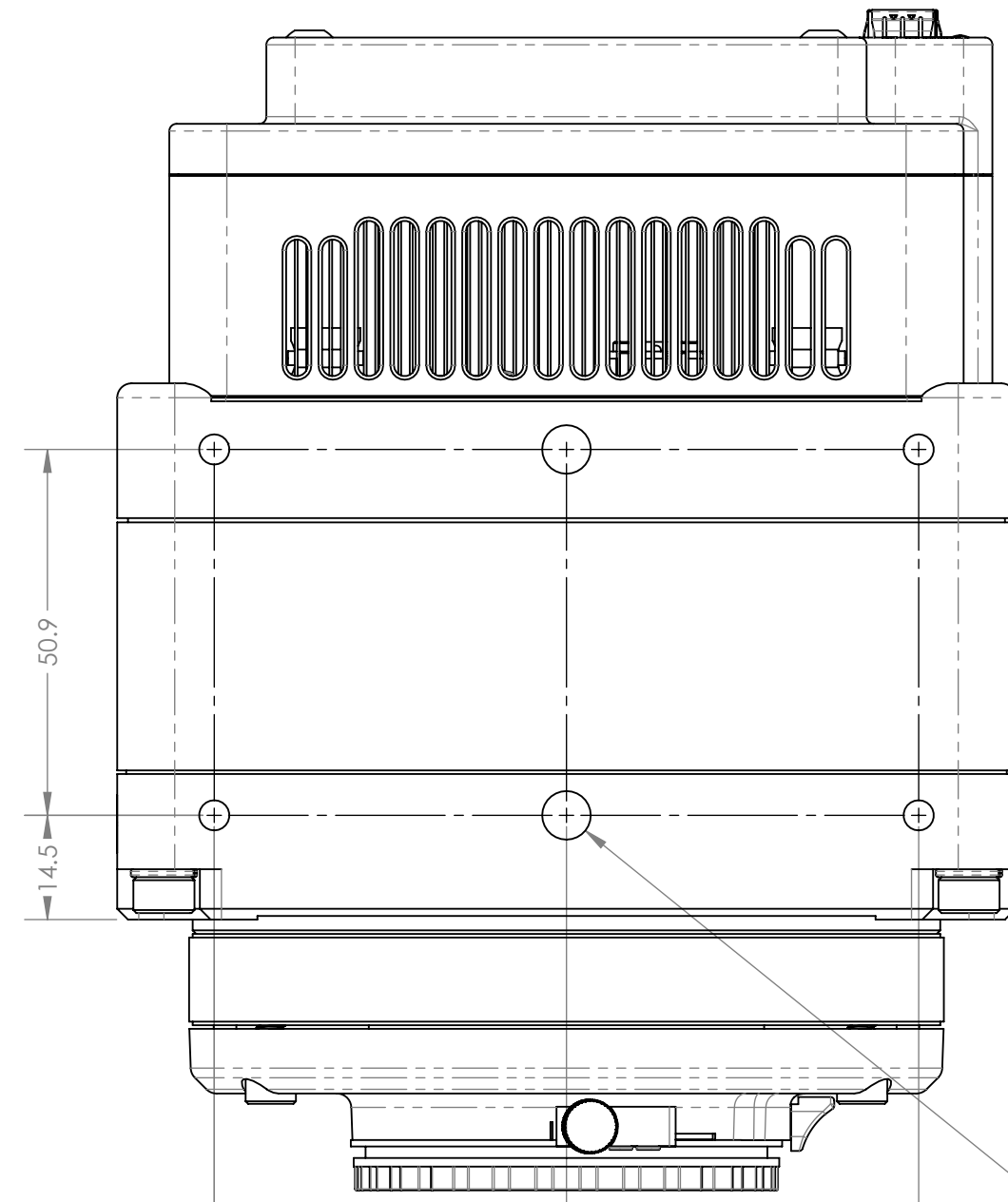
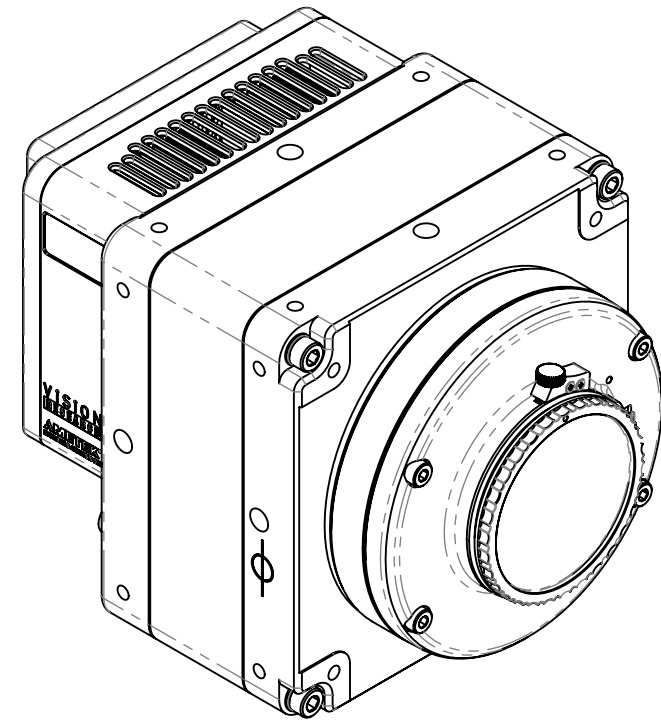
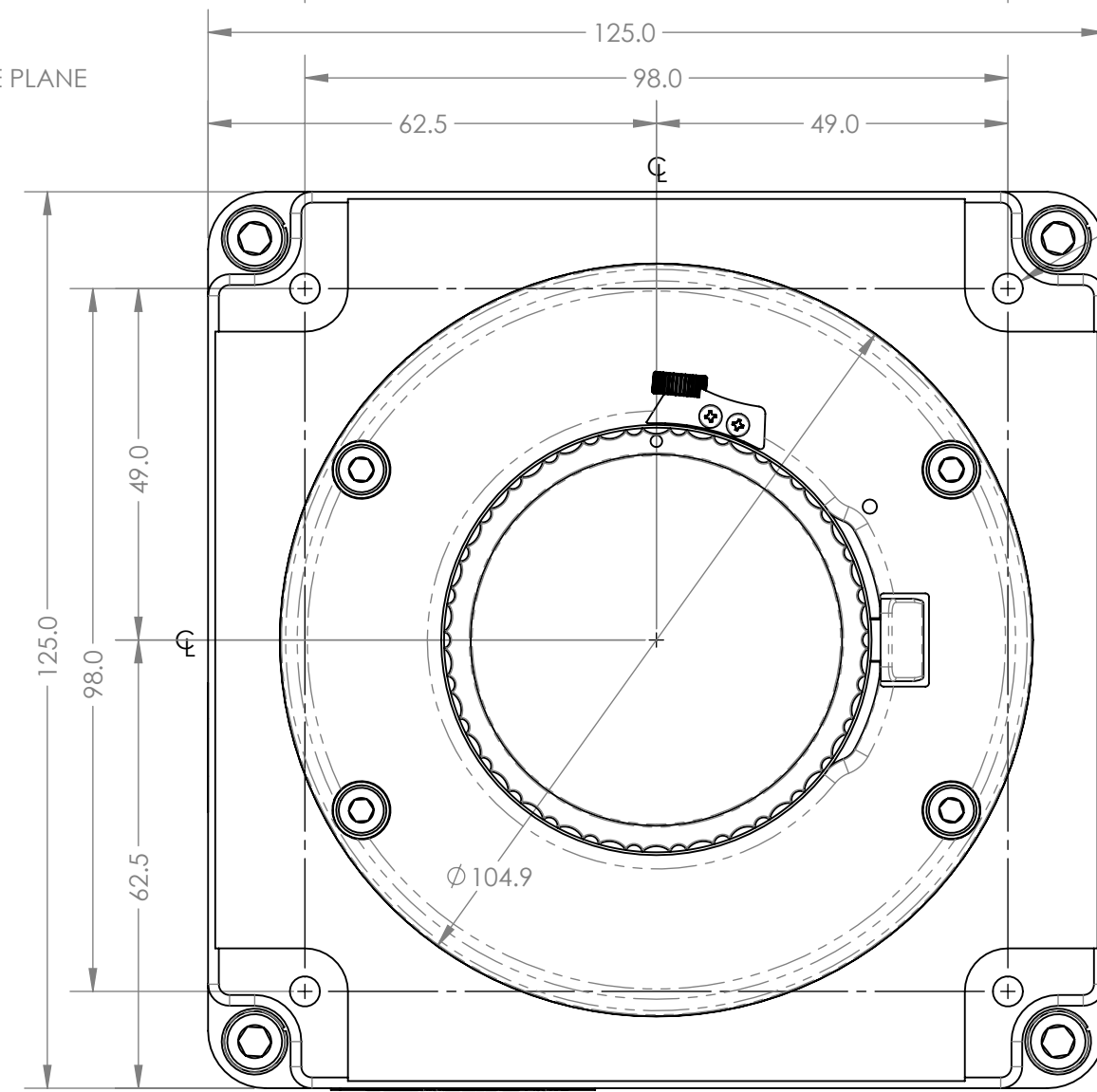
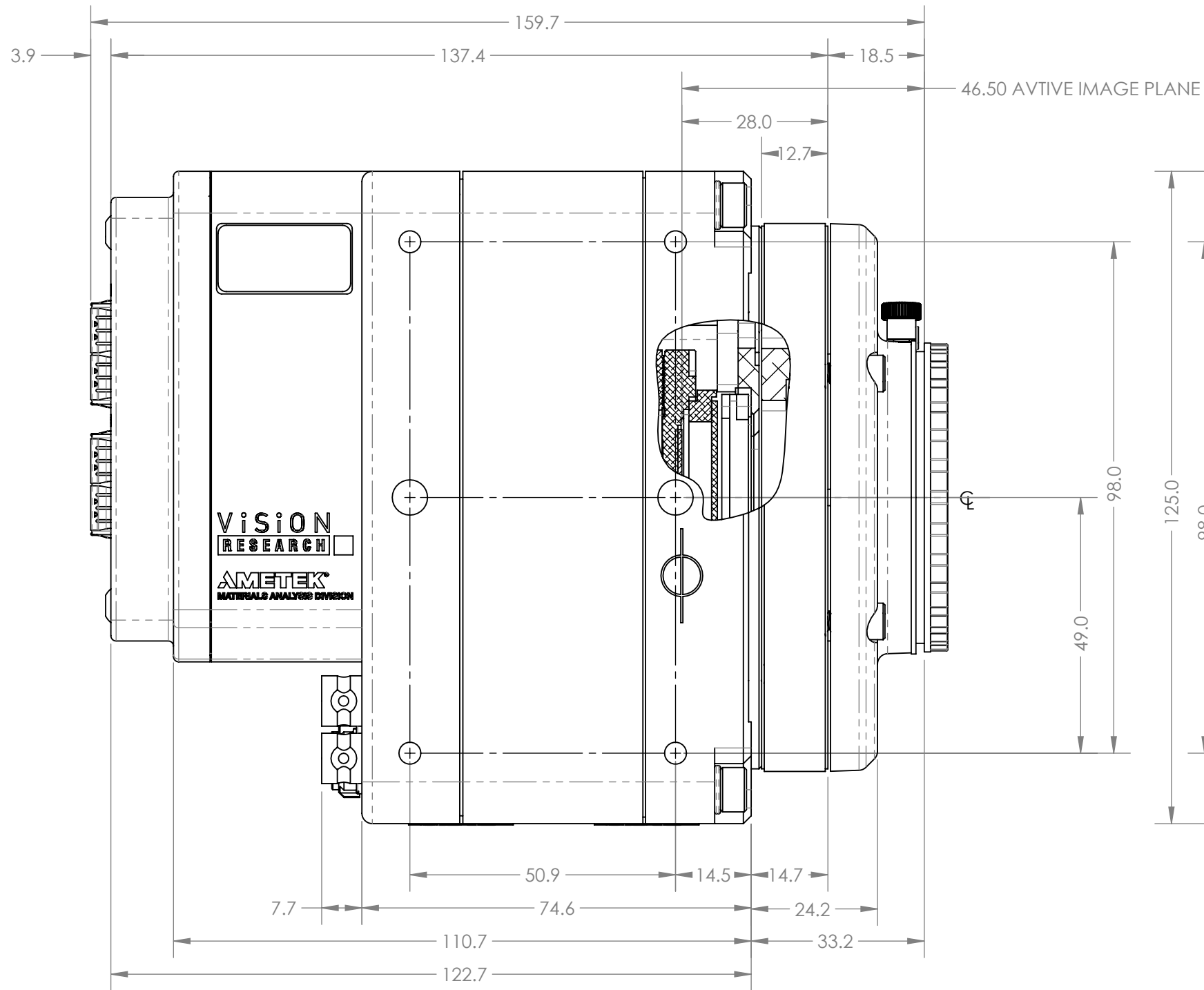


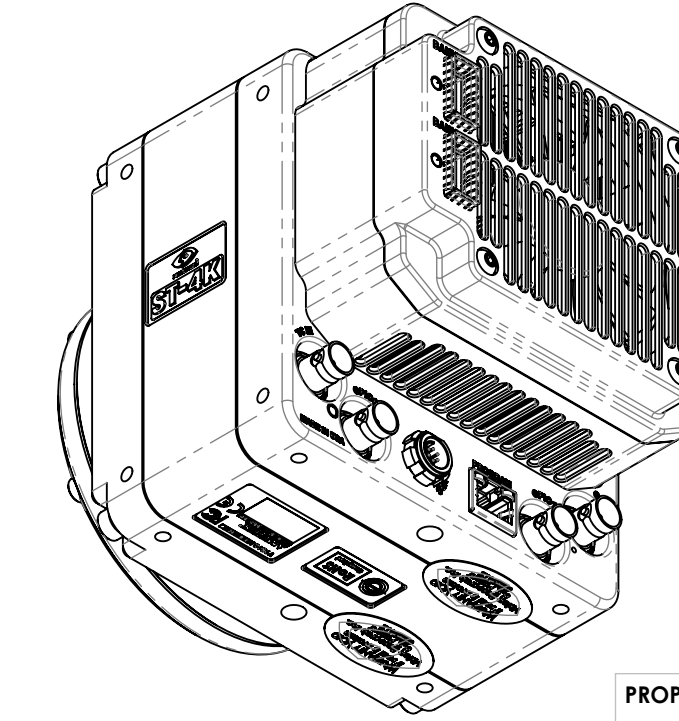
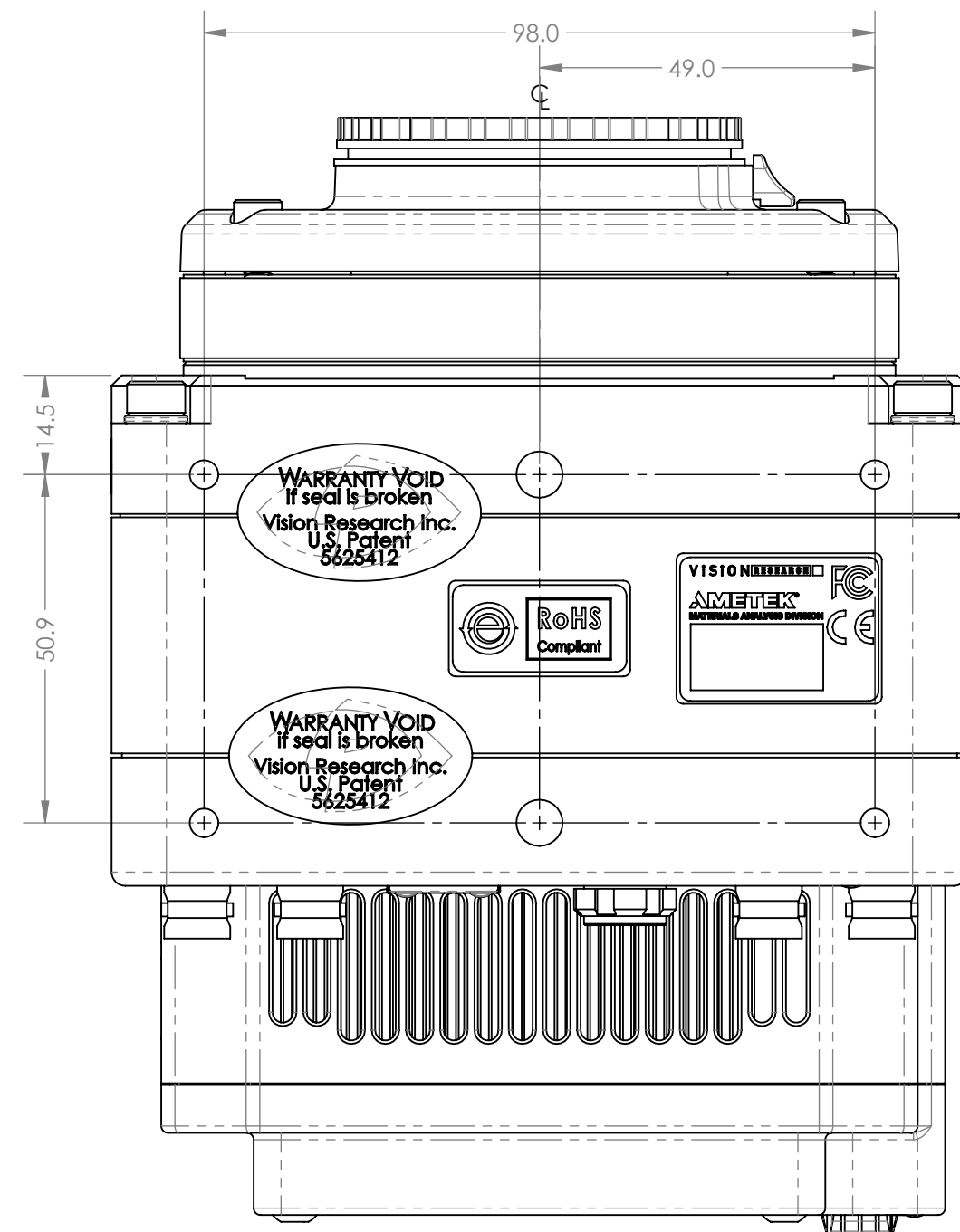
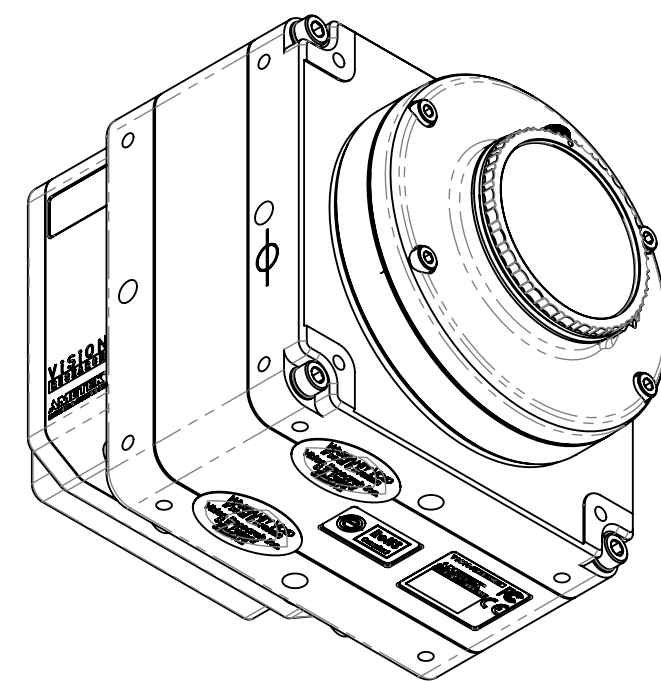
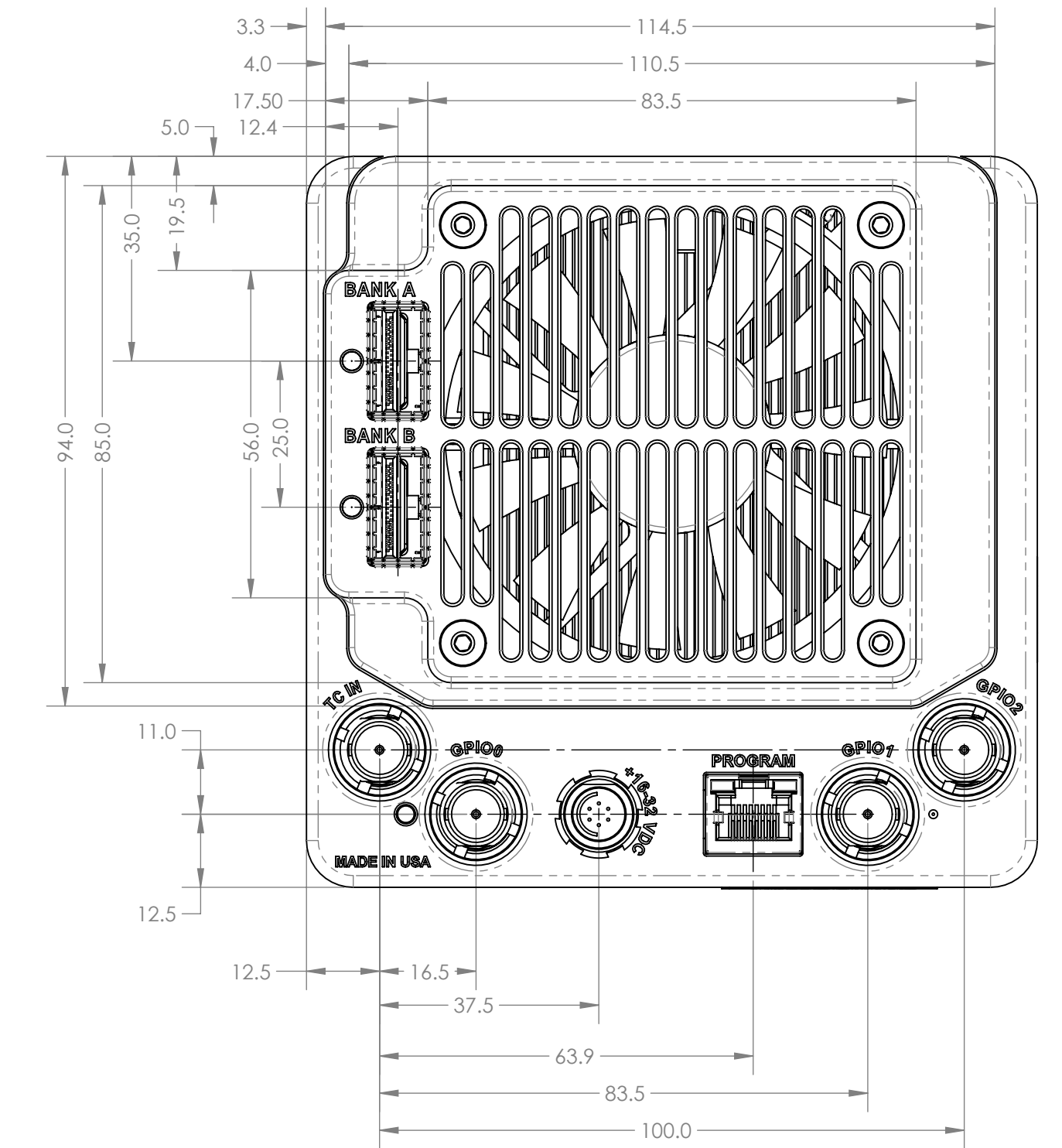
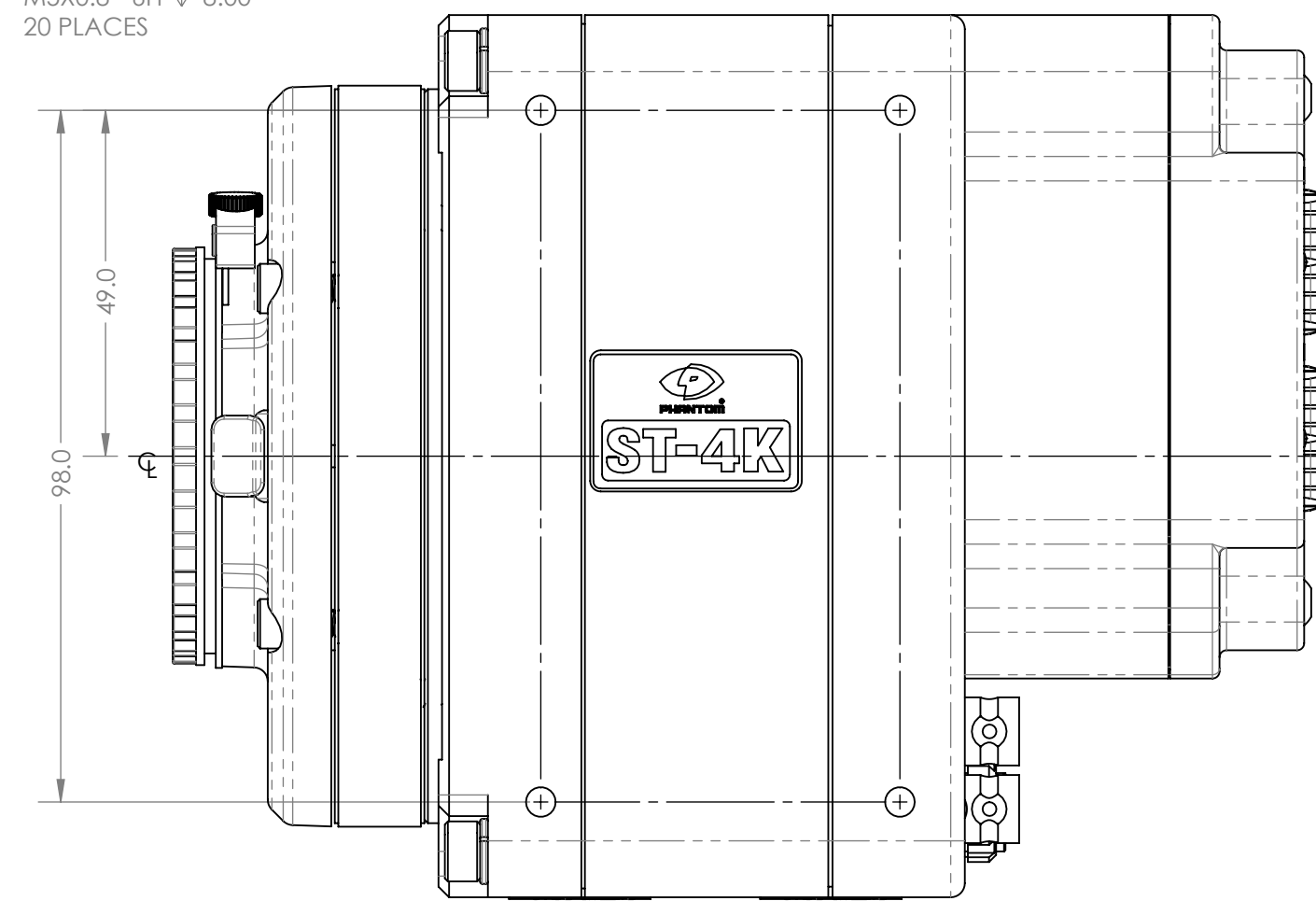
REVISIONS HISTORY			
REV.	DESCRIPTION	DRN BY	APP'D BY
0	INITIAL RELEASE	B.E.	4/5/2021



1/4-20 HELICOIL  $\nabla$  0.25 INCH  
6 PLACES



M5X0.8 - 6H  $\nabla$  8.00  
20 PLACES



**PROPRIETARY AND CONFIDENTIAL**

THE INFORMATION CONTAINED IN THIS DRAWING IS THE SOLE PROPERTY OF VISION RESEARCH. ANY REPRODUCTION IN PART OR AS A WHOLE WITHOUT THE WRITTEN PERMISSION OF VISION RESEARCH IS PROHIBITED.

		UNLESS OTHERWISE SPECIFIED: DIMENSIONS ARE IN MM
		TOLERANCES: FRACTIONAL: $\pm 1/64$ ANGULAR: MACH $\pm 0.5$ ONE PLACE: $\pm 0.25$ TWO PLACE: $\pm 0.13$
		INTERPRET GEOMETRIC TOLERANCING PER: MATERIAL
	S991-FIBER	FINISH
NEXT ASSY	USED ON	
APPLICATION		DO NOT SCALE DRAWING

NAME	DATE
B.E.	4/5/2021
DRAWN	
CHECKED	
ENG APPR.	
MFG APPR.	
Q.A.	

**VISION RESEARCH**  
100 Dey Road  
Wayne, New Jersey 07470 USA  
973-696-4500

TITLE:  
**CUSTOMER DRAWING, S991 WITH FIBER OUTPUT**

SIZE	DWG. NO.	REV
D	ZDOC-64109-CD-S991-FIBER	0
SCALE 1:1	WEIGHT:	SHEET 1 OF 1

